

# Lorenz High Efficiency Cyclone Application Form

Date: \* \_\_\_\_\_

Company: \* \_\_\_\_\_

Lorenz ID # \_\_\_\_\_

Contact: \* \_\_\_\_\_

Position: \* \_\_\_\_\_

Email: \* \_\_\_\_\_

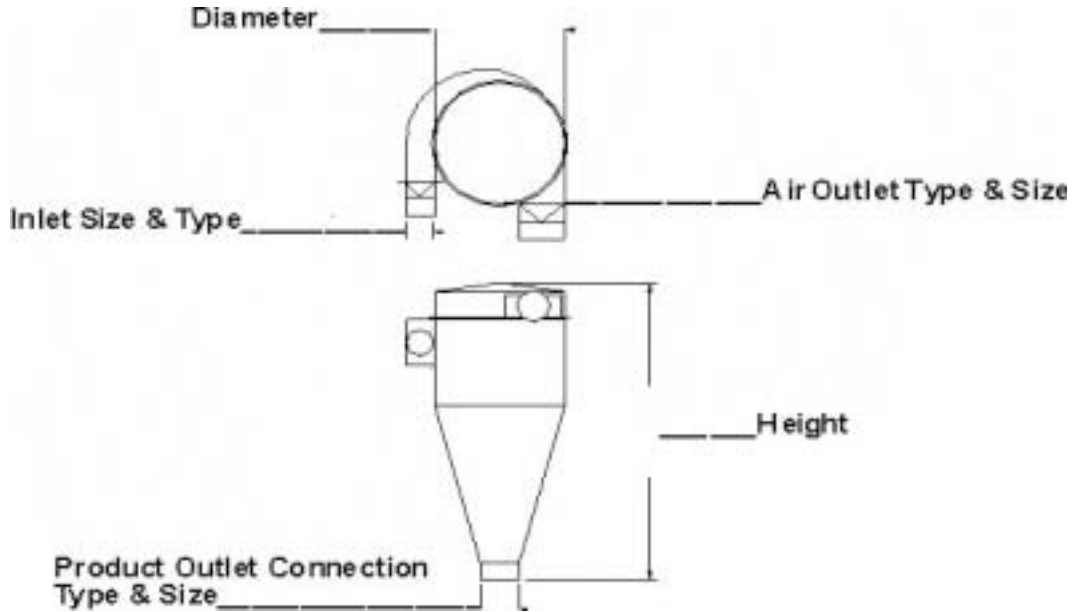
Telephone: \* \_\_\_\_\_ Ext: \_\_\_\_\_

Fax: \* \_\_\_\_\_

Project Time Line: \_\_\_\_\_

Project Reference # \_\_\_\_\_

## APPLICATION INFORMATION - Powders and Fine Materials



Vacuum

Pressure

Product being conveyed: \_\_\_\_\_

Temperature \_\_\_\_\_

Weight: \_\_\_\_\_

Product Size: \_\_\_\_\_

Elevation: \_\_\_\_\_

(where is the cyclone being installed)

CFM \_\_\_\_\_

(cubic feet per min)

Velocity \_\_\_\_\_

(feet per min)

Clockwise Rotation

Counter Clockwise Rotation

Construction Material:

Stainless

Aluminum

Carbon

Gauge \_\_\_\_\_

Notes:

---



---



---



---

\* denotes a required field

Please fill out the form as completely as possible, and submit the form using the buttons at right.

You may also print the form and fax it to **(877) 372-4456**.

To speak to someone directly, please call **(800) 263-7782 (US)**, or **(800) 263-1942 (Canada)**.