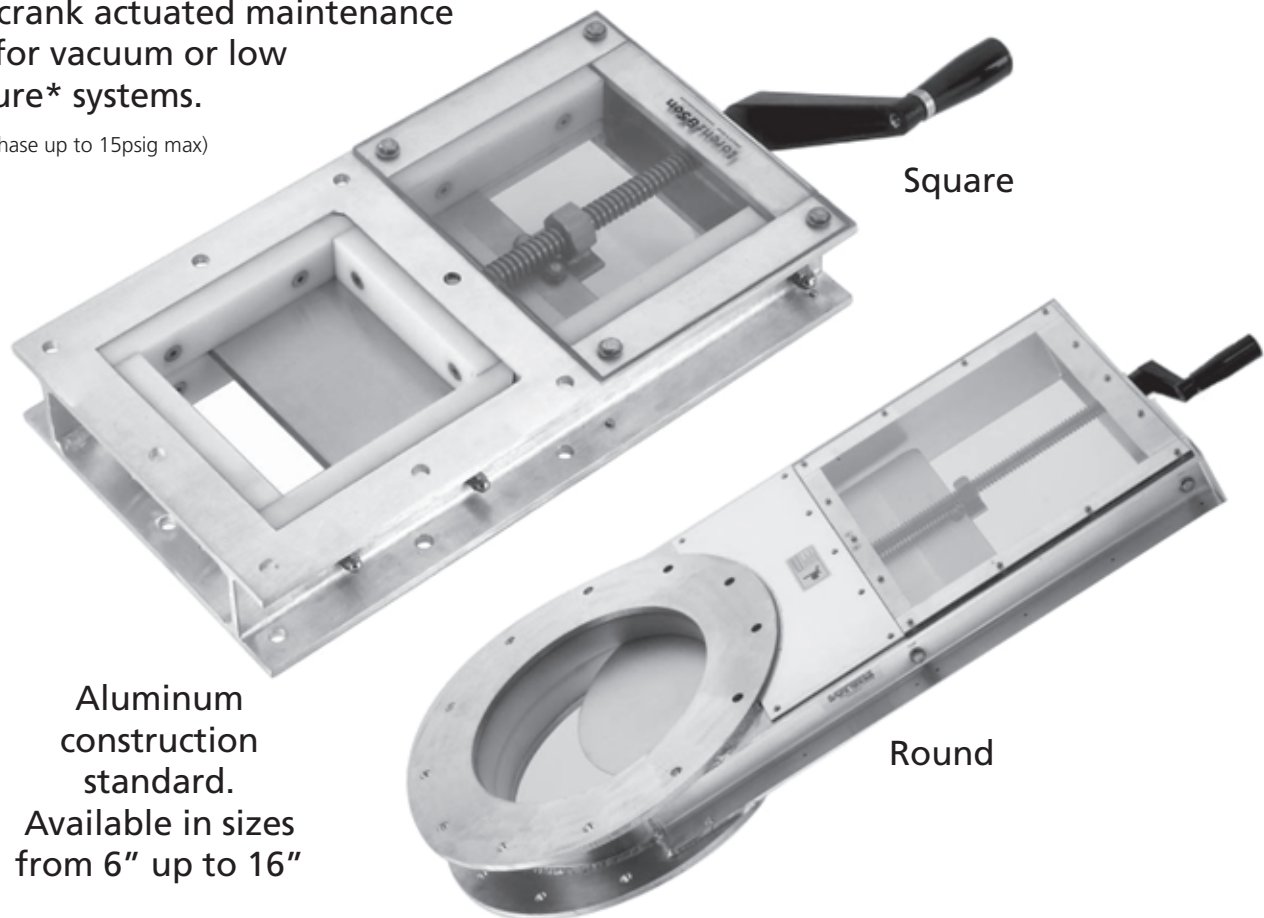


Maintenance Gate Series "A"

Handcrank actuated maintenance gate for vacuum or low pressure* systems.

*(Dilute Phase up to 15psig max)



Square

Round

Aluminum construction standard.
Available in sizes from 6" up to 16"

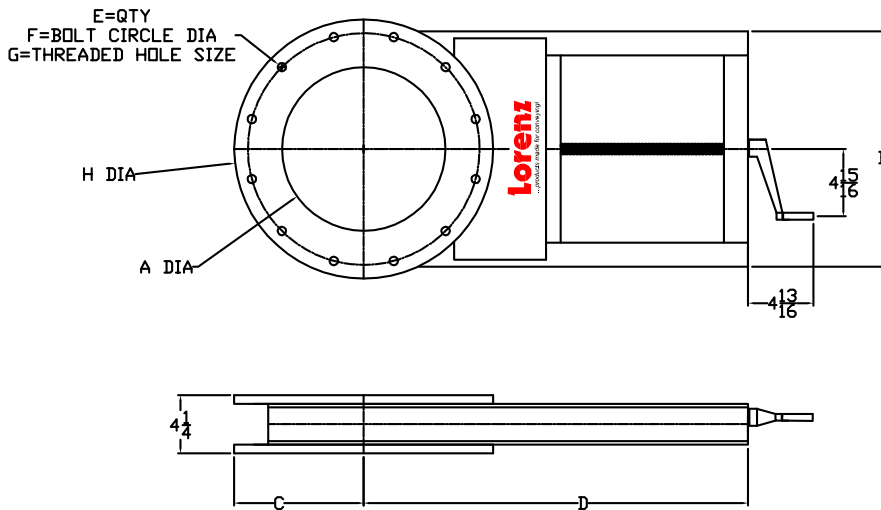
Standard Features

- Hand crank or hand wheel actuation
 - Polymer liner
 - Clear covers standard
- 304 stainless steel contact points & polished stainless steel blade
- Narrow profile, lightweight aluminum frame
 - Constant pressure woven Teflon seals
 - Fully lined nylon interior
- Standard gate rated for 110° C (230° F)
 - Fully tested prior to shipping

We deliver what we promise on time every time!

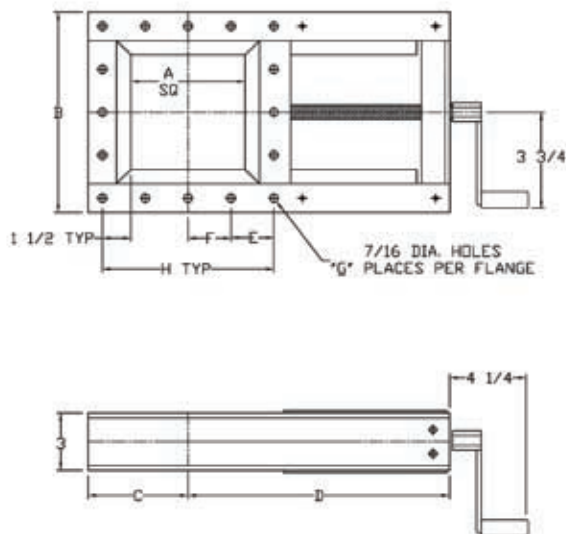
Maintenance Gate Series "A"

Maintenance Gate Valve - Round Orifice



Model Number	A DIA	B	C	D	E	F	G	H DIA
MGR-600	6	10 3/4	5 1/2	16 1/8	8	9 1/2	5/8-11	11
MGR-800	8	12 3/4	6 3/4	20	8	11 3/4	5/8-11	13 1/2
MGR-1000	10	15 1/4	8	24 3/8	12	14 1/4	5/8-11	16
MGR-1200	12	17 1/4	9 1/2	28 3/16	12	17	5/8-11	19
MGR-1400	14	19 1/4	10 1/2	32 1/16	12	18 3/4	5/8-11	21
MGR-1600	16	21 3/4	11 3/4	36 1/16	16	21 1/4	5/8-11	23 1/2

Maintenance Gate Valve - Square Orifice



A	B	C	D	E	F	G	H
4	8 1/2	4 1/4	11 5/8	--	3 1/2	8	7
6	10 1/2	5 1/4	14	--	4 1/2	8	9
8	12 1/2	6 1/4	16 3/4	--	5 1/2	8	11
10	14 1/2	7 1/4	19 3/4	--	3 1/4	16	13
12	16 1/2	8 1/4	22 3/4	3 1/2	4	16	15
14	18 1/2	9 1/4	25 3/4	--	4 1/4	16	17
16	20 1/2	10 1/4	28 3/4	--	4 3/4	16	19

Options

- Air cylinders, hand wheel, electric or chain wheel actuation
- Solenoids - single or double acting 110 volt AC & 24 volt DC NEMA 4
(available NEMA 7 class 1, Groups B, C & D, class II Groups E, F, & G)
Stainless steel • Clear covers

We deliver what we promise on time every time!