

## Bin Vents & Filter Receiver

### Bottom Loaded Pulse Jet

#### Construction Material Available

- Carbon Steel
- Stainless Steel
- Aluminum

#### Receiver Rating

- Pressure 5 PSI
- Vacuum 17" Hg

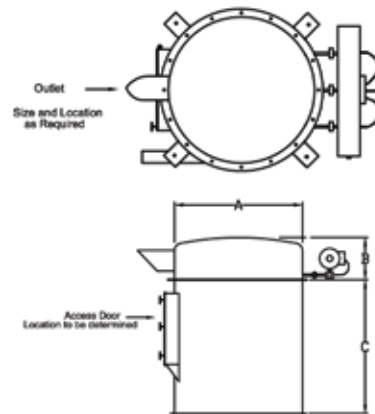
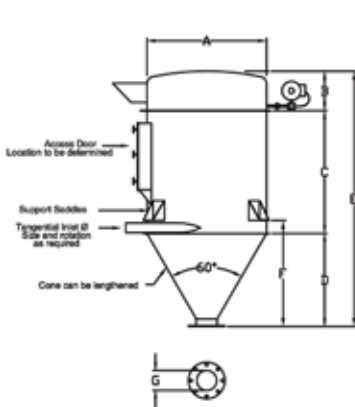
#### Filter Available

- Polyester
- Pleated Elements

#### Legs & Stands Optional

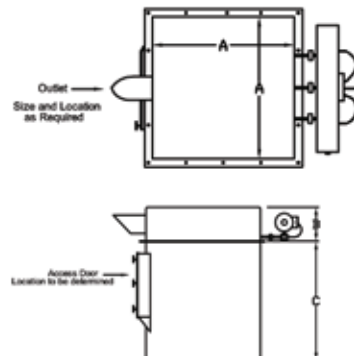
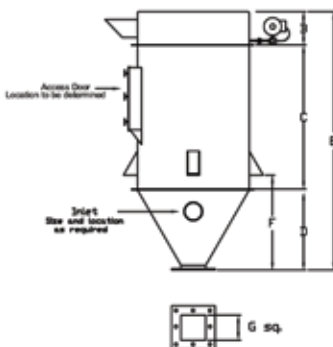


## Round Bin Vents & Filter Receivers



A	B	C	D	E	F	G	Filter Area sq.ft.	Sock Length	Filter Tubes
28	21	49	18	88	24	8	42	36	9
30	21	61	19	101	25	8	55	48	9
30	21	85	19	125	25	8	85	72	9
36	24	97	24	145	30	8	130	84	12
42	26	80	29	135	36	8	155	72	16
42	26	109	29	164	36	8	215	96	16
48	28	109	35	172	43	8	301	96	24
54	30	109	40	179	52	10	387	96	30
60	32	109	45	186	60	10	503	96	40

## Square Bin Vents & Filter Receivers



A	B	C	D	E	F	G	Filter Area sq.ft.	Sock Length	Filter Tubes
28	21	49	18	88	24	8	44	36	9
30	21	61	19	101	25	8	56	48	9
30	21	85	19	125	25	8	85	72	9
36	24	97	24	145	30	8	180	84	16
42	26	80	29	135	36	8	236	72	16
42	26	109	29	164	36	8	320	96	25
48	28	109	35	172	43	8	460	96	36
54	30	109	40	179	52	10	530	96	42
60	32	109	45	186	60	10	620	96	49