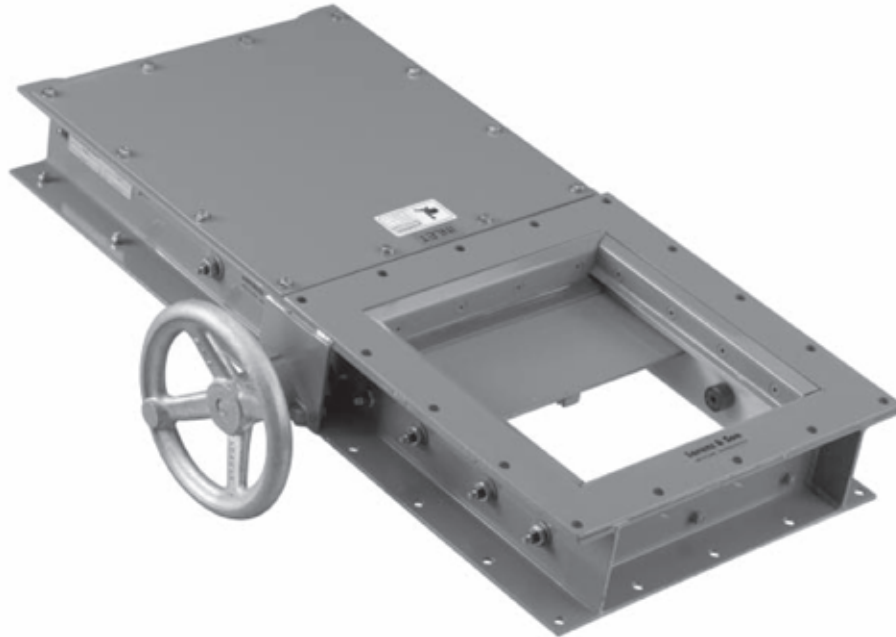


Aggregate Control Gate Series "C"



Gate for controlling dry, gravity flow aggregates.

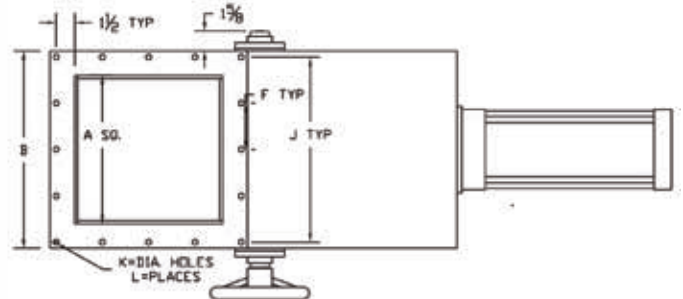
Features and Benefits

- 6" - 30" sizes.
- Heavy Duty Carbon Steel Construction.
- Standard Hand Wheel Actuated.

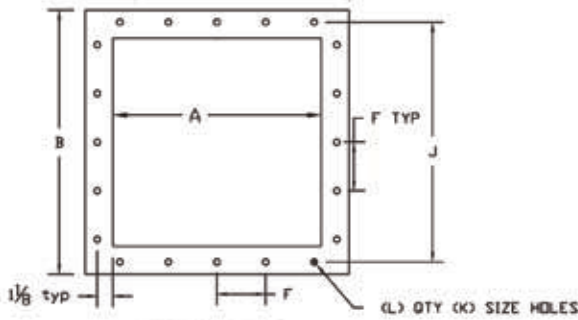
Options

- AR Plate Blade.
- Square to round transitions
 - Hi Temp Kits.
- Internal magnetic cushioned air cylinder.
 - Solenoids & position switches
 - Hand lever, chain wheel.

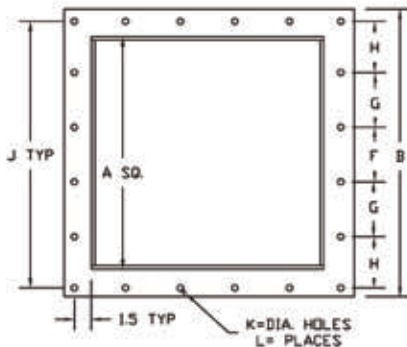
We deliver what we promise on time every time!



NOTE: DRAWING SHOWS BOTH MANUAL AND AIR CYLINDER ACTUATION FOR MANUAL ACTUATION DISREGARD DIMENSION (E)

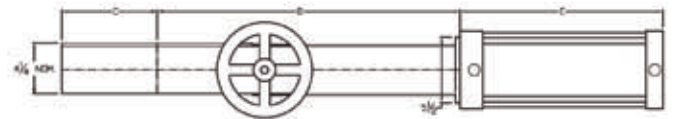


STANDARD FLANGE PATTERN
EVEN SIZES 6" TO 24"



CEMA FLANGE PATTERN
ODD SIZES 13" TO 21"

CEMA FLANGE PATTERN
NOT AVAILABLE IN
7", 9", AND 11" MODELS



A	B	C	D	E	F	G	H	J	K	L	WT (LBS)
6	10	5	16	11	4 1/2	-	-	9	7/16	8	65
7	11	5 1/2	17	11 3/8	5	-	-	10	7/16	8	70
8	12	6	19	13	5 1/2	-	-	11	7/16	8	75
9	13	6 1/2	20 1/2	13 7/8	3	-	-	12	7/16	16	85
10	14	7	22	15	3 1/4	-	-	13	7/16	16	95
11	15	7 1/2	23 1/2	15 15/16	3 1/2	-	-	14	7/16	16	105
12	16	8	25	17	3 3/4	-	-	15	7/16	16	110
13	17	8 1/2	26 1/2	18	5 1/4	-	5 1/8	15 1/2	7/16	12	130
14	18	9	28	19 1/4	4 1/4	-	-	17	7/16	16	150
15	19	9 1/2	29 1/2	20 1/4	3 1/2	3 1/2	3 1/2	17 1/2	7/16	20	170
16	20	10	31	21 1/4	4 3/4	-	-	19	7/16	16	190
17	21	10 1/2	32 1/2	22 1/4	4	4	3 3/4	19 1/2	7/16	20	210
18	22	11	34	23 1/4	5 1/4	-	-	21	7/16	16	230
19	23	11 1/2	35 1/2	24 1/4	4 3/8	4 3/8	4 7/16	22	9/16	20	250
20	24	12	37	25 1/4	5 3/4	-	-	23	7/16	16	270
21	25	12 1/2	38 1/2	26 1/4	4 3/4	4 3/4	4 7/8	24	9/16	20	290
22	26	13	40	27 1/4	4 3/16	-	4 1/8	25 1/8	7/16	24	310
24	28	14	43	32 1/8	4 1/2	-	-	27	7/16	24	390
25	29	14 1/2	44 1/2	33 1/8	5 1/2	5 5/8	5 5/8	28	9/16	20	450
30	34	17	52	38 1/8	5 1/2	-	-	33	7/16	24	550