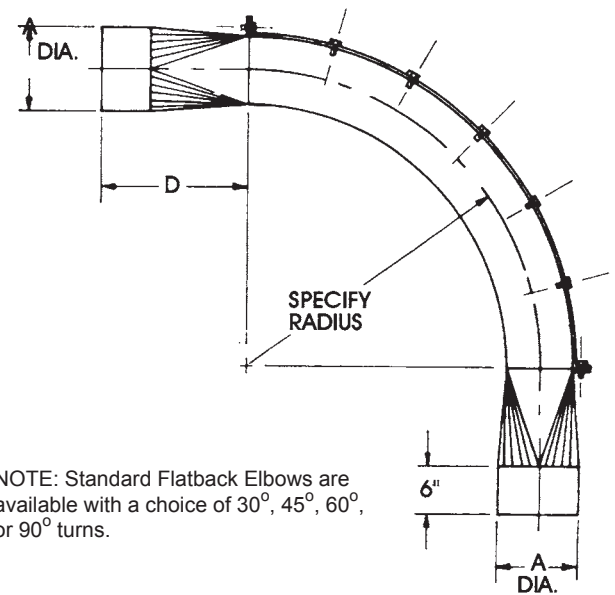


Flatback Elbows



The flatback elbows are used in conjunction with abrasive products. The convenience of replacing the back instead of the entire elbow offers a very economical and time saving alternative. Available in stainless steel also.



NOTE: Standard Flatback Elbows are available with a choice of 30°, 45°, 60°, or 90° turns.

SIZE	DIMENSIONS			
	A	B	C	D
3	3	3	2-1/2	12
3-1/2	3-1/2	3-1/2	2-15/16	12
4	4	4	3-3/8	12
4-1/2	4-1/2	4-1/2	3-3/4	12
5	5	5	4-1/8	12
6	6	6	4-3/4	18
8	8	8	6-1/2	18
10	10	10	8	18
12	12	12	9-1/2	18
14	14	14	11-1/4	18

